

THERMO SENSOR

TH-156a

Application:

Temperature sensor designed for measurement in food, cosmetic and pharmaceutical process.

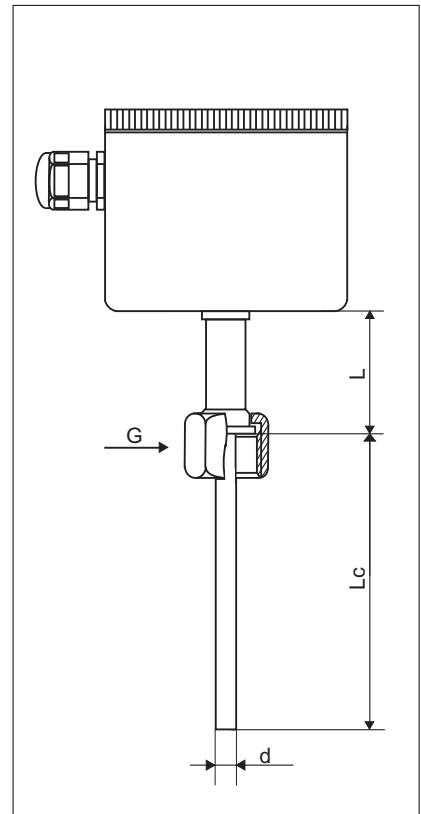
Technical Data

Measuring Range	up to 200 C
Resistance type:	Pt100 wg PN-EN 60751+A2 Pt1000, Pt500
Connection material	stal 304 (1.4301), 316L(1.4404)
Header material H	stal 304 (1.4301)
Temperature header H	100°C
With transmitter	P - transmitters table



Order

Transmitter type in table	ex. P1
Sensor dimension d	6
Ø6 mm	
other	
Sensor length Lc	100
50 mm	
other	
Length L	60
60mm	
other	
Thread dimension	G1/2"
M12x1,5	
G3/8"	
G1/2"	
Header type	ex. H
B, MA, NA, H	
Connection type	ex. 3
2-wired, 3-wired, 4-wired	
Resistance class	ex. B
class - A, B, 1/3B	
Resistance type	ex. Pt100
Pt100, 2xPt100, other	



Order:

TH-156a-6-100-60-G1/2"-3-B-Pt100 – sensor dimension d= 6 mm, length Lc=100 mm, length L=60 mm, with thread G1/2", terminal head type H, 3-wire, class B, Pt100.