

TEMPERATURE SENSOR

T-200Z

Applications:

Temperature sensor for measurement in blast-furnaces, boiler rooms, laboratories.

Technical Data

Measuring range

T-200Z-K up to 1150°C

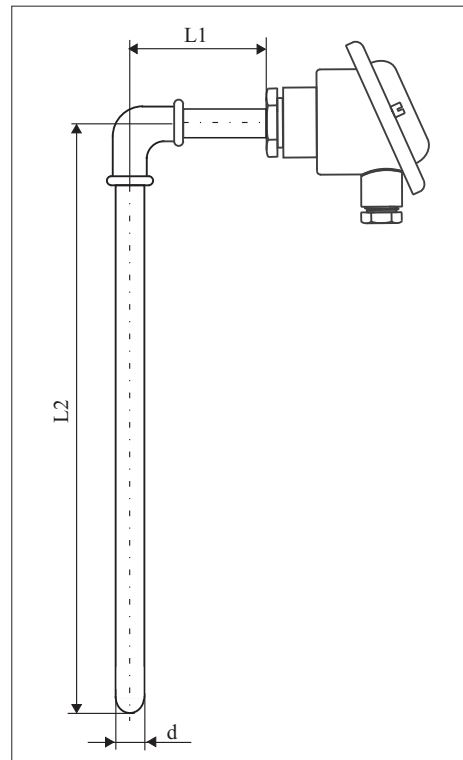
Measuring insert
NiCr-NiAl (K) up to PN-EN 60584
others (J,L,S,B,R,T,E,N) IEC 584

Protection tube material
stainless steel 1H18N9T (1.4541)
1.4841, 1.4571

Terminal head ambient

temperature 100°C or 150°C

With transmitter P - table of transmitters



Ordering code

	-	T	-	200Z	-		-		-		-		-		-		-		-	
Transmitter	up to table e.g. P1																			
Insert design	single no signs double - 2																			
Thermocouple type	NiCr-NiAl (K) K others (J,L,S,B,R,T,E,N)																			
Terminal head type	B, DA, NA e.g. NA																			
Protection tube type	heat proof - 1 1 acid-resistance - 2																			
Protection tube dia. d	Ø21,3 21,3 others																			
Length L2/L1	500 mm/400 mm 500/400 800 mm/600 mm others																			
Tolerance	class 1, 2 e.g. 2																			
Operating temperature	800°C, 1000°C, others e.g. 1000°C																			

Order example:

T-200Z-K-1-B-500/400-2-1000°C - single thermocouple type K, terminal head B, heat proof protection tube diameter d=21,3 mm, length L2=500 mm, length L=400 mm, class 2, operating temperature 1000°C.