

# TEMPERATURE SENSOR

## T-204

### Applications:

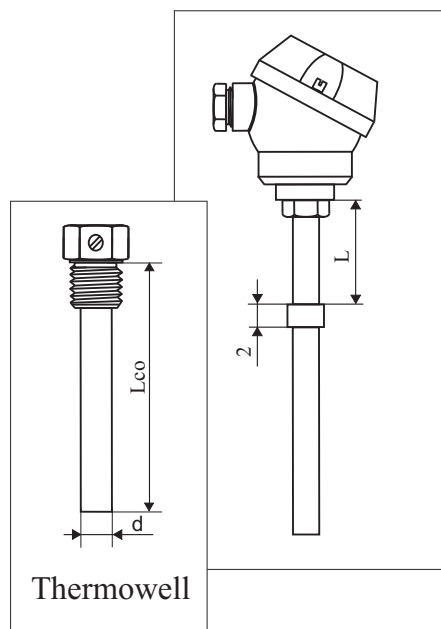
Temperature sensor for measurement of liquids, gases.

### Technical Data

Measuring range	up to 800°C
Measuring insert	NiCr-NiAl (K) up to PN-EN 60584 others (J,L,T,E,N) IEC 584
Protection tube material	stainless steel 1H18N9T (1.4541)
Terminal head ambient temperature	100°C or 150°C
With transmitter	P - table of transmitters

### Ordering code

Transmitter up to table	T	204									
Insert design	single	no signs									
	double - 2										
Thermocouple type	NiCr-NiAl (K)	K									
	others (J,L,T,E,N)										
Protection tube dia. d	∅ 10 mm	10									
	others										
Thermowell length L <sub>co</sub>	50 mm	50									
	others										
Length L	30 mm	30									
	others										
Terminal head type	B, MA, NA	e.g. MA									
Process connection dimensions	G1/2"	G1/2"									
	others										
Tolerance	class 1,2	e.g. 2									



### Order example:

T-204-K-10-50-30-MA-G1/2"-2 - single thermocouple type K, protection tube diameter d=4 mm, length L<sub>c</sub>=100 mm, length L=100 mm, terminal head MA, with thread G1/2", class 2.