

# TEMPERATURE SENSOR

## T-211

### Applications:

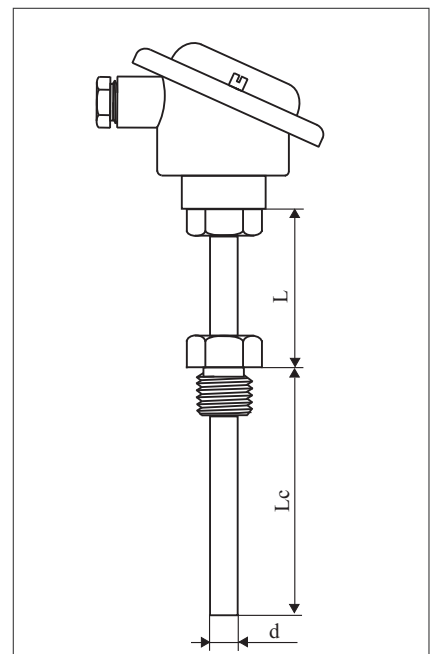
Temperature sensor for measurement in receptacles, furnaces, other industrial devices.

### Technical Data

Measuring range	up to 800°C
Measuring insert	NiCr-NiAl (K) PN-EN 60584 others (J,L,T,E,N)
Protection tube material	stainless steel 1H18N9T (1.4541)
Terminal head ambient temperature	100°C or 150°C
With transmitter	P - table of transmitters

### Ordering code

[ ]	-	T	-	211	-	[ ]	-	[ ]	-	[ ]	-	[ ]	-	[ ]	-	[ ]	-	[ ]	-	[ ]	
Transmitter		up to table e.g. P1																			
Insert design		single no signs double - 2																			
Thermocouple type		NiCr-Al (K) K others (J,L,T,E,N)																			
Protection tube dia. d		∅ 10 mm 10 others																			
Protection tube length Lc		100 mm 100 others																			
Length L		100 mm 100 others																			
Terminal head type		B, MA, NA e.g. B																			
Process connection dimensions		M20x1,5 M20x1,5 others																			
Tolerance		class 1, 2 e.g. 2																			



### Order example:

T-211-K-10-100-100-100-B-M20x1,5-2- single thermocouple type K, protection tube diameter d=10 mm, length Lc =100 mm, length L=100 mm, terminal head B, with fixed thread M20x1,5, class 2.