

TEMPERATURE SENSOR

T-212

Applications:

Temperature sensor for measurement in receptacles, and other industrial devices.

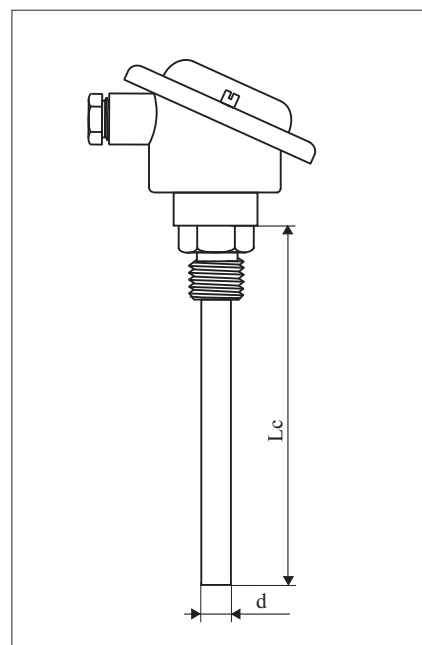
Technical Data

Measuring range	up to 200°C
Measuring insert	NiCr-NiAl (K) PN-EN 60584 others (J,L,T,E,N) IEC 584
Protection tube material	stainless steel 1H18N9T (1.4541)
Terminal head ambient temperature	100°C or 150°C
With transmitter	P - table of transmitters



Ordering code

Transmitter up to table	e.g. P1
Insert design	single no signs double - 2
Thermocouple type	NiCr-Al (K) K others (J,L,T,E,N)
Protection tube dia. d	∅ 10 mm 10 ∅ 12 mm others
Protection tube length Lc	100 mm 100 others
Terminal head type	B, DA, NA e.g. B
Process connection dimensions	M20x1,5 M20x1,5 others
Tolerance	class 1, 2 e.g. 2



Order example:

T-212-K-10-100-B-M20x1,5-2- single thermocouple type K, protection tube diameter d=10 mm, length Lc =100 mm, terminal head B, with fixed thread M20x1,5, class 2.