

TEMPERATURE SENSOR

T-231

Applications:

Temperature sensor for measurement of pipelines, parts of machines and other elements.

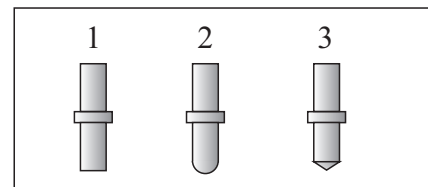
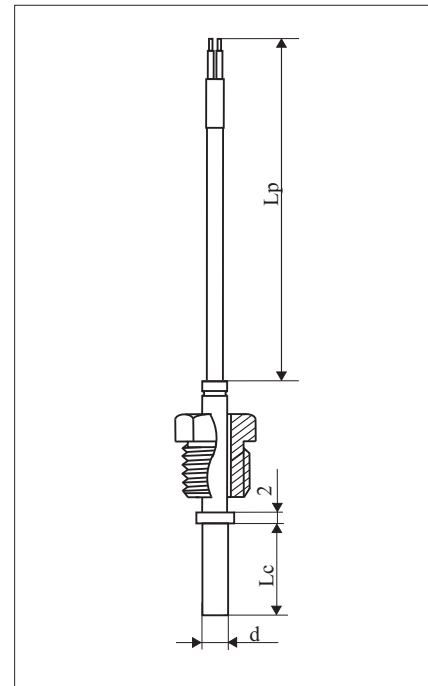
Technical Data

Measuring range	up to 400°C (784°F)
Measuring insert	NiCr-NiAl (K) up to PN-EN 60584 others (J,L,T,E,N) IEC 584
Protection tube material	stainless steel 1H18N9T (1.4541)
Connecting cable	insolation fiberglass x 2 overbraid (standard)



Ordering code

T	-	231	-	-	-	-	-	-	-	-
Thermocouple type										
NiCr-NiAl (K)										
others (J,L,T,E,N)										
Protection tube dia. d										
Ø 5 mm										
others										
Protection tube length Lc										
25 mm										
others										
Cable length Lp										
1,5 m										
others										
Process connection dimension										
M10x1										
others										
Ending type										
type 1, 2, 3										
										e.g. 1
Tolerance										
class 2										
										e.g. 2
Assemble										
without spring - no signs										
with spring - S										
										S



Order example:

T-231-K-5-25-1,5-M10x1-1-2-S- thermocouple type K, protection tube diameter d=5 mm, length Lc=25 mm, length Lp=1,5 m, thread M10x1, ending type 1, class 2, with spring.