

TEMPERATURE SENSOR

T-233a

Applications:

Temperature sensor for measurement of the air in ventilation ducts and systems.

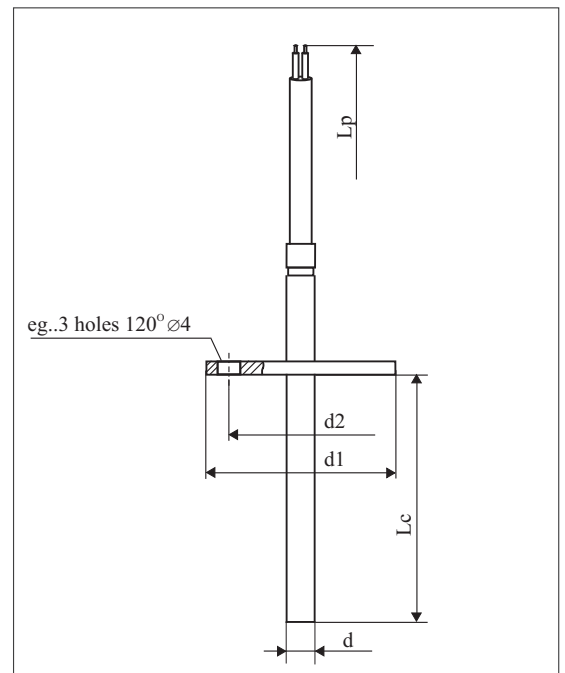
Technical Data

Measuring range	up to 800°C
Measuring insert	NiCr-NiAl (K) up to PN-EN 60584 others (J,L,T,E,N) IEC 584
Protection tube material	stainless steel 1H18N9T (1.4541)
Connectin cable	insulation fiberglass x 2 - overbraid (standard)



Ordering code

T	-	233a	-		-		-		-		-		-	
Thermocouple type														
NiCr-NiAl (K)														
others (J,L,T,E,N)														
Protection tube diameter d														
∅ 4 mm														
others														
Disk diameter d1														
∅ 33 mm														
others														
Diameter d2														
∅ 25 mm														
others														
Protection tube length Lc														
50 mm														
others														
Cable length Lp														
1,5 m														
others														
Tolerance														
class 2														
Connecting cable														
1 - insulation fiberglass x 2 - overbraid														
others														



Order example:

T-233a-K-4-33-25-50-1,5-2-1- single thermocouple type K, protection tube diameter d=4 mm, disk diameter d1=33 mm, diameter d2=25 mm, length Lc=50 mm, length Lp=1,5 m, class 2, cable insulation fiberglass x 2 - overbraid.