

# TEMPERATURE SENSOR

## T-234

### Applications:

Temperature sensor for measurement of pipelines, parts of machines and other elements.

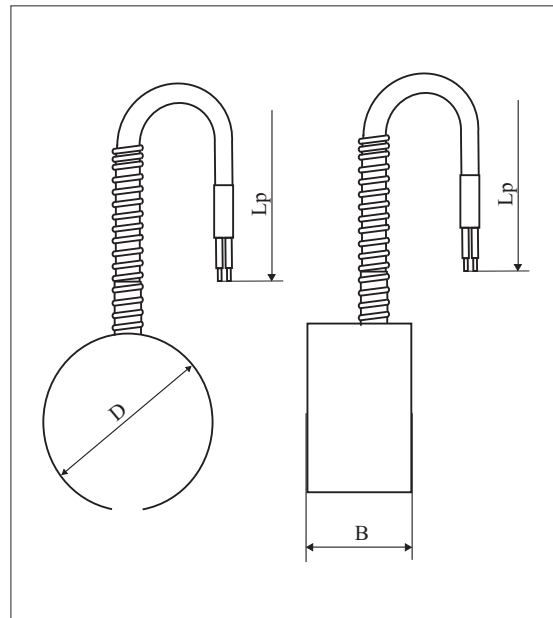
### Technical Data

Measuring range	up to 400°C (784°F)
Measuring insert	NiCr-NiAl (K) up to PN-EN 60584 (J,K,T,E,N,L) IEC 584
Protection tube material	stainless steel 1H18N9T (1.4541)
Connecting cable	insolation fiberglass x 2 overbraid (standard)



### Ordering code

T	-	234	-		-		-		-	
Thermocouple type										
NiCr-NiAl (K)										K
others (J,L,T,E,N)										
Sensor diameter D										
∅ 34 mm										34
others										
Sensor width B										
20 mm										20
others										
Cable length Lp										
1,5 m										1,5
others										
Tolerance										
class 2										2



### Order example:

T-234-K-34-20-1,5-2- thermocouple sensor type K, sensor diameter D= 34 mm, sensor width B=20 mm, length Lp=1,5 m, class 2.