

TEMPERATURE SENSOR

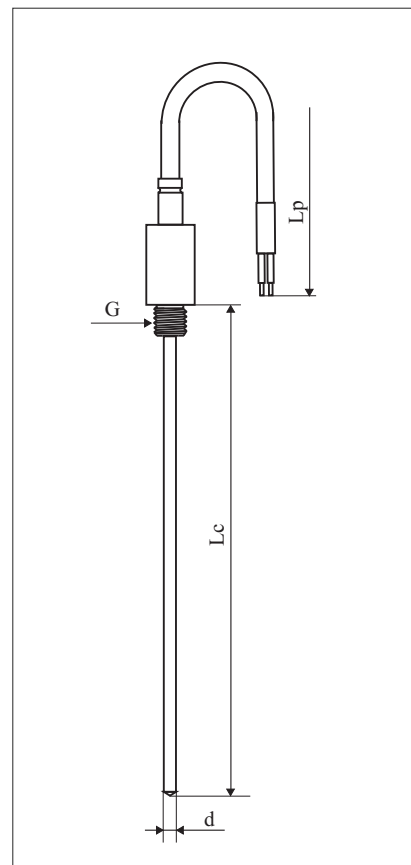
T-237

Applications:

Temperature sensor for measurement in industrial applications.

Technical Data

Measuring range	up to 400°C
Measuring insert	NiCr-NiAl (K) up to PN-EN others (J,T,E,N,L) IEC 584
Protection tube material	stainless steel 1H18N9T (1.4541)
Connecting cable	insulation fiberglass x 2 overbraid (standard)



Ordering code

T	-	237	-	-	-	-	-	-	-
Thermocouple type									
NiCr-NiAl (K)									
others (J,L,T,E,N)									
Protection tube dia. d									
∅ 3 mm									3
others									
Protection tube length Lc									
120 mm									120
others									
Cable length Lp									
1,5 m									1,5
others									
Process connection G dimensions									
M8x1									M8x1
others									
Tolerance									
class 2									2
Connecting cable									
1 - fiberglass x 2 - overbraid									1
others									

Order example:

T-237-K-3-1,5-M8x1-2- thermocouple sensor type K, protection tube dia. d=3 mm, length Lc=120 mm, length Lp=1,5 m, with thread M8x1, class 2, insulation cable fiberglass x 2 - overbraid.