

TEMPERATURE SENSOR

T-238

Applications:

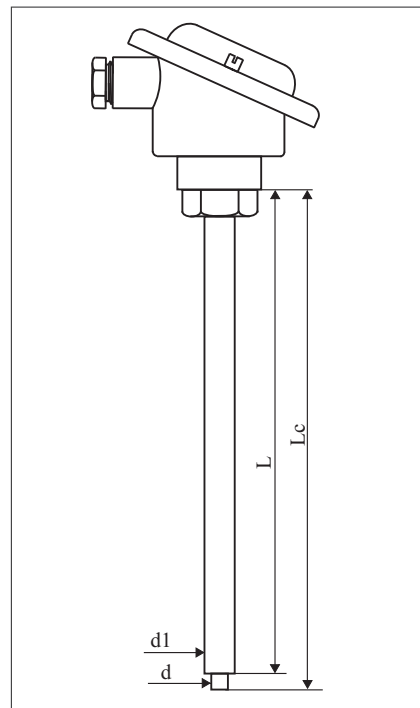
Temperature sensor for measurement in different industrial applications.

Technical Data

Measuring range	up to 400°C
Measuring insert	NiCr-NiAl (K) up to PN-EN others (J,T,E,N,L) IEC 584
Protection tube material	stainless steel 1H18N9T (1.4541)
Terminal head ambient temperature	100°C or 150°C
With transmitter	P - table of transmitters

Ordering code

	T	238							
Transmitter									
up to table e.g. P1									
Insert design									
single bez ozn.									
double - 2									
Thermocouple type									
NiCr-NiAl (K) K									
Fe-CuNi (J)									
others (L,T,E,N)									
Sensor dia. d									
∅ 4,5 mm 4,5									
others									
Protection tube dia. d1									
∅ 21,3 mm 21,3									
others									
Length Lc									
1000 mm 1000									
others									
Protection tube length L									
990 mm 990									
others									
Terminal head type									
B, MA, NA e.g. B									
Tolerance									
class 1, 2 e.g. 2									



Order example:

T-238-K-4,5-21,3-1000-990-B-2 - single thermocouple sensor type K, sensor diameter d=4,5 mm, protection tube diameter d1=21,3, length Lc=1000 mm, length L=990 mm, terminal head B, class 2.