

TEMPERATURE SENSOR

T-105

Applications:

Temperature sensor for measurement of liquids, gases in pressure receptacles and pipelines. Assemble with terminal head type MA.

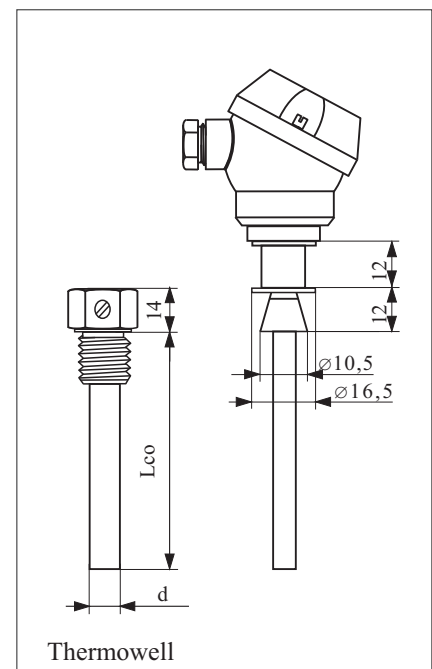
Technical Data

Measuring range	up to 250°C
Resistance element:	Pt100 up to PN-EN 60751+A2 Pt1000, Pt500
Protection tube material	stainless steel 1H18N9T (1.4541)
Thermowell material	stainless steel 1H18N9T (1.4541) nickel-plated brass
Connection line	2, 3 or 4 wire
Terminal head ambient temperature	100°C or 150°C
With transmitter	P4 - table of transmitters



Ordering code

Transmitter type	T	105						
Thermowell dia. d			10					
Thermowell length Lco				85				
Connection line					e.g. 2			
Process connection dimensions						G1/2"		
Tolerance class							e.g. B	
Measuring insert								e.g. Pt100



Order example:

T-105-10-85-2-G1/2"-B-Pt100 - sensor of thermowell diameter d=10 mm, length Lco= 85 mm, 2-wire, with thread G1/2", class B, Pt100.